

K-BUBBLE

CONNECTED PRESSURE DYNAMOMETER

AN INNOVATIVE AND ENGAGING WAY TO OBJECTIVELY MEASURE STRENGTH

K-Bubble is an innovative pneumatic dynamometer designed to objectively measure muscle strength using inflatable cushions.

Versatile and easy to use, K-Bubble assesses the ability to apply pressure with any part of the body by converting pressure variations into measurable force data.

It enables quick and simple evaluation of specific areas such as adductors, cervical region, and other muscle groups.



MEASURE
MOVE
PROGRESS

TECHNICAL SPECIFICATIONS

DIMENSIONS & WEIGHT

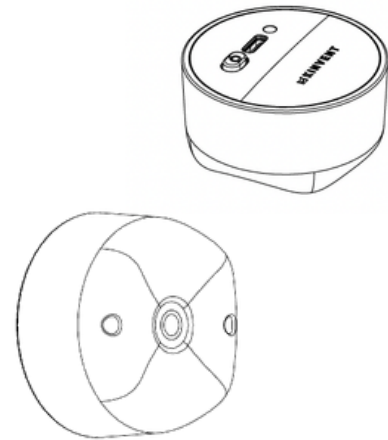
- **Dimensions:** 53 Ø × 30 mm
- **Weight:** 36g

PERFORMANCE

- **Maximum pressure:** 0.4 Bar / 5.8 PSI
- **Sampling frequency:** 125 Hz
- **Accuracy:** ±1.5%

CONNECTIVITY

- **Wireless transmission:** Bluetooth
- **Wireless range:** up to 50 m
- **Battery life:** up to 12 hours of continuous use
- **Charging time:** 1.5 hours
- **Automatic standby mode:** after 10 minutes of inactivity



Product Reference: [MP.06.04.FN]

EAN : 3770011995455

EQUIPMENT

INCLUDED IN THE PACKAGE

K-Bubble accessory kit:

- 1 Inflatable ball ×1
- 2 Inflatable roller ×1
- 3 Inflatable handle ×1
- 4 Charging cable and user manual

K-Push :

- 5 1 sensor

OPTIONAL

K-Bubble accessory kit

Reference : [ME.15.00.00]

EAN : 3770033274576



PRODUCT BENEFITS



01 Isometric Strength Assessment

Measure peak force (maximum isometric strength) and average force for targeted muscles or muscle groups with high reliability.



02 Fast Assessments

Quickly evaluate different body areas thanks to real-time feedback directly available in the Kinvent Physio app.



03 Repetition & Target Control

Set a specific number of repetitions and a force target, and monitor in real time whether goals and execution pace are achieved.



04 Intuitive & Easy to Use

Simple and user-friendly, K-Bubble integrates easily into clinical and sports protocols, including quick session-based assessments.



05 Highly Adaptable Testing

Compatible with any type of inflatable cushion, offering great flexibility to create multiple testing configurations tailored to each patient.



06 Portable & Ultra-Lightweight Design

Compact and ultra-light, K-Bubble is perfectly suited for use in clinics, on the field, or on the go.

COMPETITIVE ADVANTAGE

- Simple and effective pressure-based strength measurement
- Unlike traditional dynamometers, K-Bubble enables force measurement without rigid mechanical constraints, making it ideal for areas requiring comfort and adaptability.
- Its pressure-based technology combined with real-time biofeedback makes it particularly relevant for safe, specific, and reproducible testing.

EXPERT TIP

When comfort meets precision
Some strength assessments require a softer approach without compromising accuracy.
K-Bubble provides an ideal solution to objectively measure isometric strength while respecting patient morphology and comfort, improving adherence to testing and the quality of collected data.

